

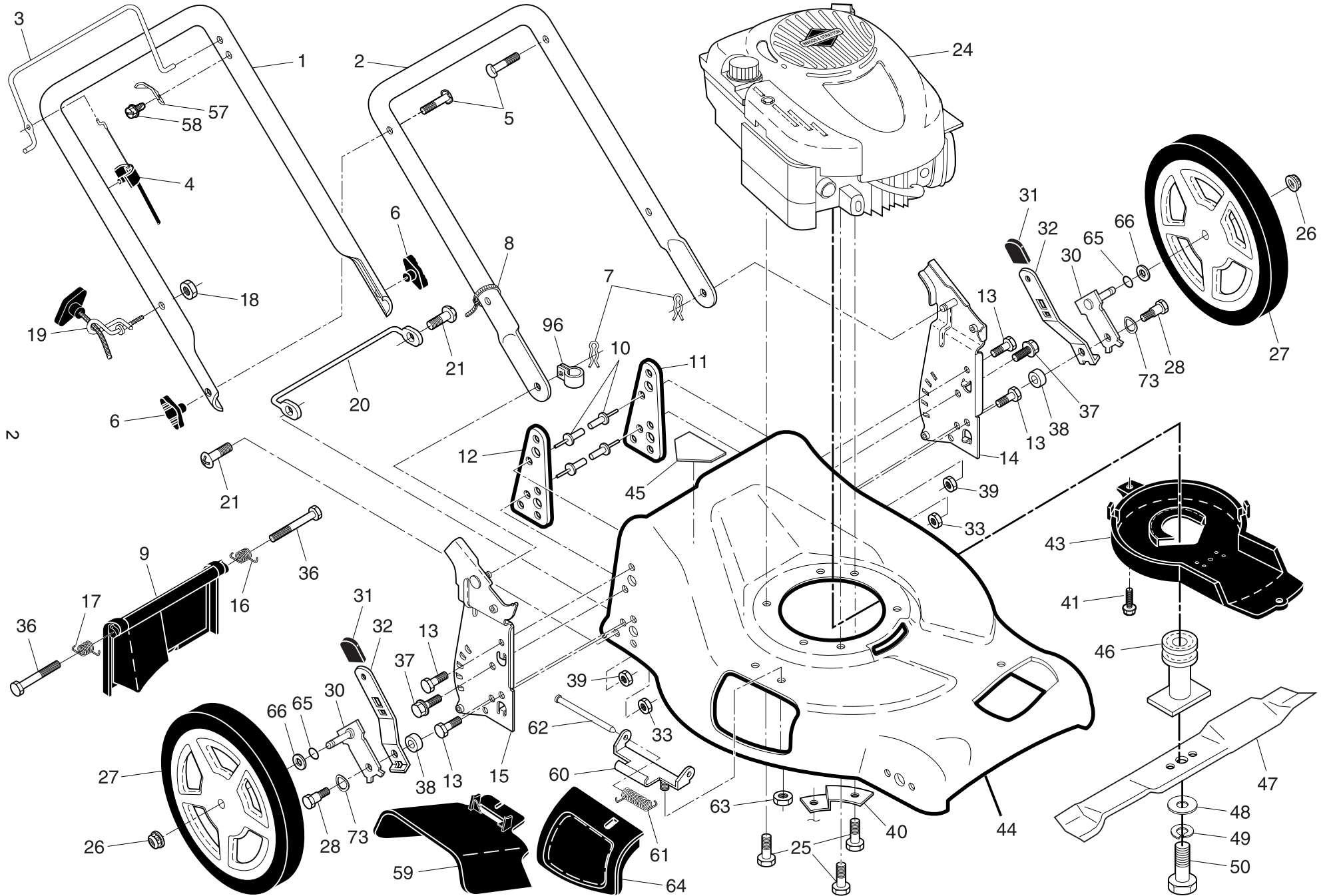
ILLUSTRATED PARTS LIST

MODEL NUMBER PP6553D

PRODUCT NUMBER 961 41 00-81

MFG. ID. NUMBER 96141008104

ROTARY LAWN MOWER - - MODEL NUMBER PP6553D (96141008104) PRODUCT NUMBER 961 41 00-81

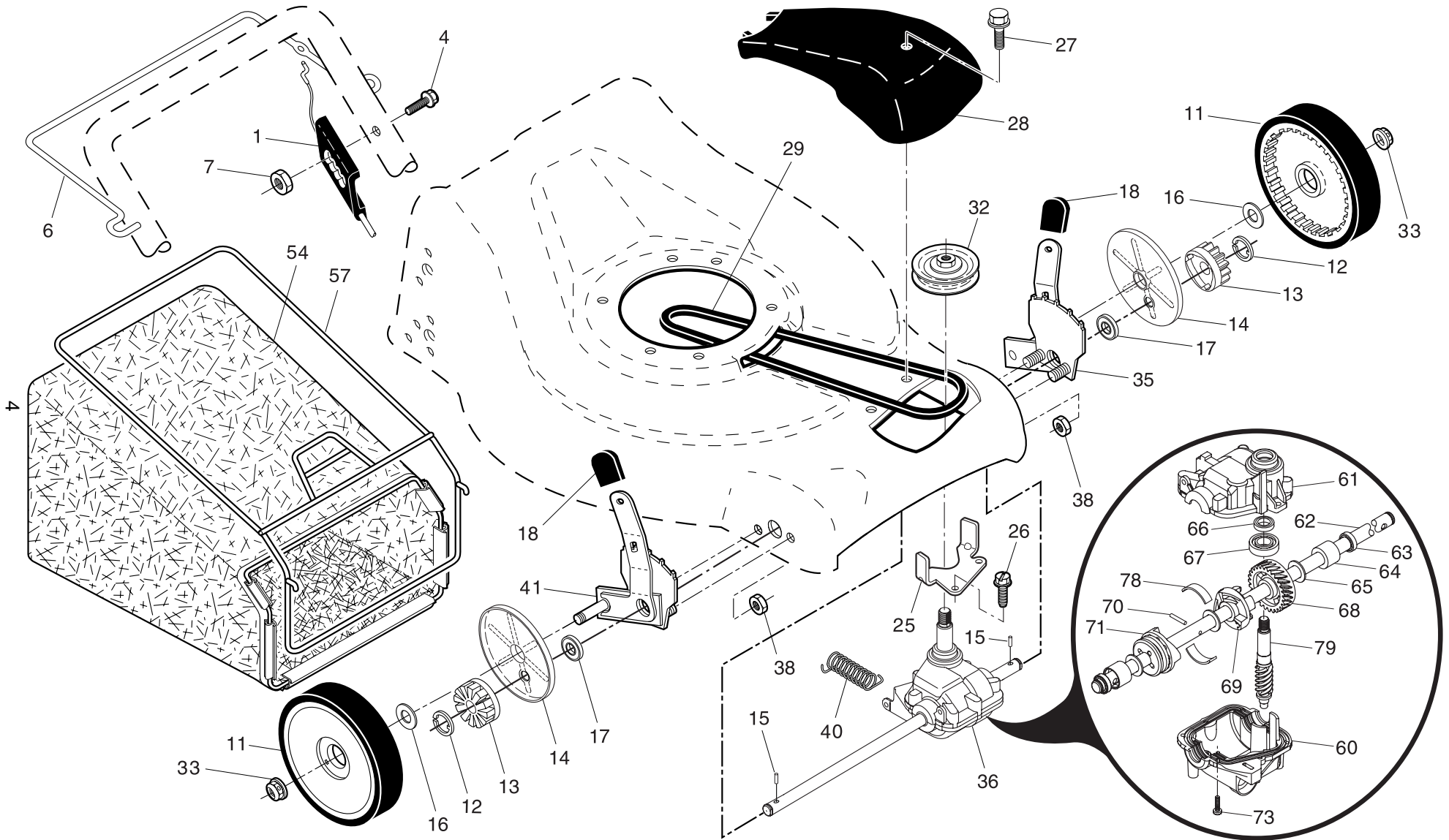


ROTARY LAWN MOWER - - MODEL NUMBER PP6553D (96141008104) PRODUCT NUMBER 961 41 00-81

KEY NO.	PART NO.	DESCRIPTION	KEY NO.	PART NO.	DESCRIPTION
1	532 19 84-59	Upper Handle	36	532 18 41-93	Bolt
2	532 15 36-05	Lower Handle	37	874 78 05-12	Thread Cutting Screw w/Sems 5/16-18 x 3/4
3	532 19 84-64	Control Bar	38	532 40 16-29	Spacer
4	532 18 35-67	Engine Zone Control Cable	39	532 16 67-89	Nut, Hex, Flangelock
5	532 19 15-74	Handle Bolt	40	532 19 09-39	Mounting Bracket, Debris Shield
6	532 19 19-38	Handle Knob	41	532 19 23-25	Screw
7	532 05 17-93	Hairpin Cotter	43	532 40 58-44	Debris Shield
8	532 06 64-26	Wire Tie	44	532 40 97-64	Kit, Lawn Mower Housing (Includes Key Numbers 10, 11, 12 and 45)
9	532 40 69-85	Rear Door	45	532 18 21-66	Danger Decal
10	532 12 84-15	Pop Rivet	46	532 19 77-52	Blade Adapter / Pulley
11	532 41 05-40	Support Bracket, LH	47	532 19 93-77	Blade, 21"
12	532 41 05-42	Support Bracket, RH	48	532 85 10-74	Hardened Washer
13	817 06 04-10	Screw 1/4-20 x 5/8	49	532 85 02-63	Helical Washer 3/8-24 x 1-3/8 Grade 8
14	532 18 25-43	Handle Bracket Assembly, LH	50	532 85 10-84	Hex Head Machine Screw 3/8-24 x 1-3/8 Grade 8
15	532 18 25-45	Handle Bracket Assembly, RH	57	532 12 51-62	Upstop Bracket
16	532 40 54-17	Spring, Rear Door, LH	58	532 75 06-34	Screw
17	532 40 54-18	Spring, Rear Door, RH	59	532 17 50-71	Discharge Deflector
18	532 13 20-04	Keps Locknut 1/4-20	60	532 17 57-35	Hinge Bracket
19	532 19 47-88	Rope Guide	61	532 19 30-00	Hinge Spring
20	532 41 35-43	Foot Guard, C.E.	62	532 17 56-50	Hinge Rod
21	817 49 04-16	Screw	63	873 80 04-00	Nut, Hex
24	- - -	Engine, Briggs & Stratton, Model Number 124K02 (order parts from engine manufacturer)	64	532 17 50-66	Mulcher Door
25	532 15 04-06	Hex Head Thread Rolling Screw 3/8-16 x 1-1/8	65	532 19 74-80	O-Ring
26	532 40 91-49	Hex Flange Nut	66	532 08 83-48	Washer, Flat
27	532 40 31-22	Wheel & Tire Assembly, Rear	73	532 40 16-30	Washer, Curved, Cylindrical
28	532 40 16-38	Shoulder Bolt 5/16-18 x .33	96	532 19 79-91	Clip, Cable
30	532 41 31-41	Axle Arm Assembly, Rear	--	532 18 21-34	Decal, Warning, Internal, Self-Propelled (not shown)
31	532 08 78-77	Selector Knob	--	532 40 56-12	Operator's Manual, European
32	532 40 98-89	Selector Spring	--	532 40 56-14	Operator's Manual, Scandinavian
33	873 80 05-00	Nut 5/16-18	--	532 40 56-15	Operator's Manual, E-Bloc
			--	532 40 56-17	Operator's Manual, Baltic

NOTE: All component dimensions given in U.S. inches. 1 inch = 25.4 mm. **IMPORTANT:** Use only Original Equipment Manufacturer (O.E.M.) replacement parts. Failure to do so could be hazardous, damage your lawn mower and void your warranty.

ROTARY LAWN MOWER - - MODEL NUMBER PP6553D (96141008104) PRODUCT NUMBER 961 41 00-81



ROTARY LAWN MOWER - - MODEL NUMBER PP6553D (96141008104) PRODUCT NUMBER 961 41 00-81

KEY NO.	PART NO.	DESCRIPTION	KEY NO.	PART NO.	DESCRIPTION
1	532 40 78-16	Drive Control Assembly (Includes Cable)	36	532 40 48-33	Gearcase Assembly, Complete
4	532 19 96-87	Hex Washer Head Screw 1/4-20 x 2.12	38	873 80 04-00	Locknut, Hex 1/4-20
5	532 19 41-49	V-Belt	40	532 40 65-58	Spring
6	532 19 84-53	Control Bar, Drive	41	532 40 88-61	Kit, Wheel Adjuster, RH (Includes Knob and Bearing)
7	532 19 17-30	Locknut, Hex #10-24	54	532 40 05-59	Grassbag
11	532 19 80-88	Wheel & Tire Assembly, Front (Driven)	57	532 40 18-02	Frame, Grassbag
12	812 00 00-58	E-Ring	60	532 41 07-34	Case, Lower
13	532 40 38-49	Pinion Assembly	61	532 41 07-26	Case, Upper
14	532 18 94-03	Dust Cover	62	532 41 09-49	Shaft, Output
15	532 40 48-45	Pawl, Drive	63	532 18 35-08	Seal, Output Shaft
16	532 06 77-25	Washer 1/2 x 1-1/2 x .134	64	532 18 35-11	Bushing
17	532 19 10-39	Bearing, Wheel Adjuster	65	532 18 35-09	Washer
18	532 08 78-77	Selector Knob	66	532 18 35-14	Seal, Worm Shaft
25	532 41 16-63	Belt Keeper	67	532 18 35-06	Bearing, Ball
26	532 16 34-09	Screw, Hi-Lo Thread #12 x 5/8	68	532 41 07-29	Gear, 28 Teeth
27	532 17 52-62	Screw, Tapping, Pan Head #10-24 x 2-3/4	69	532 41 07-32	Fixed Dog Clutch
28	532 18 14-68	Drive Cover	70	532 41 07-33	Pin
32	532 19 40-18	Drive Pulley	71	532 41 07-30	Movable Dog Clutch
33	532 40 91-48	Locknut	73	532 18 35-13	Screw, Case
35	532 40 88-62	Kit, Wheel Adjuster, LH (Includes Knob and Bearing)	78	532 41 07-31	Spring, Leaf
			79	532 41 07-27	Shaft, Worm

NOTE: All component dimensions given in U.S. inches. 1 inch = 25.4 mm. **IMPORTANT:** Use only Original Equipment Manufacturer (O.E.M.) replacement parts. Failure to do so could be hazardous, damage your lawn mower and void your warranty.